

Design Packet

Mad₄ Cabinetry

Your personalized cabinetry experience starts here!



FINAL DESIGN



Content

Kitchen Style	03
Definition.....	04
Meet Your Designer.....	05
Door Style.....	06
Renderings & Quote.....	06
FloorPlan.....	13
Elevations.....	14
Details&Specs.....	19
ItemizedList.....	21



Transitional



In the broadest sense, this is the definition of a transitional design.

A transitional kitchen borrows elements or references styles of the past and combines them with contemporary features to produce something new and fresh.

Valu



Architect & Interior Designer

Hi there! I'm Valeria Montejo, Design Coordinator at Mad4Cabinetry. I'm a certified architect and interior designer. I see the beauty in architecture and believe a well thought out interior helps bring people together. I learned early on, a properly designed space brings out ones' happiness, allows for a natural flow of conversation, encourages productivity and movement in any environment.

I love to be involved in the design process from start to finish, but I'm mostly moved by getting into the deep levels of details that go into every space. I'm active and cooperative teamplayer, and always willing to share my opinion and knowledge with my colleagues. My passions are: working out, trying new food, fashion, roller skating, my family and my cat.

ALSO: Constant learning and detailing in terms of interior design. Memorizing songs so I can sing them from start to finish. Learning choreographies, since I was a child, to every pop and r&b song there is.

I look forward to helping you create the space you've always dreamt of.

CONSTRUCTION DETAILS

- 5/8" Solid wood dovetailed
- Under mount full extension soft close, drawer glides
- Concealed European Style
- Soft close, 6 way adjustable
- 1/2" Plywood Sides, top, bottom & back panel
- Natural Birch
- Color matching sides

Silverton Coconut White



- Framed Cabinet with Full Overlay Doors and Drawers
- Under Mount Full Extension Soft Close Drawer Glides
- Concealed European Style Hinges with Soft Close Feature
- 5 Piece HDF Door
- 1/2" Plywood Box with UV Coated Matching Exterior
- Glue & Staple or Metal Clip Assembly
- UV Coated Natural Interior

***DISCLAIMER: To ensure door style, color & texture complies with customer/contractor desired look we suggest to order a sample door. Electronic rendered images can be different to physical products.**

Sintra Series
HOME CABINETS



Silverton
Coconut White



Kitchen Angle

* Hardware such as drawer and cabinet pulls, countertops, tiles and flooring are placed for rendering purposes and are not included in pricing.

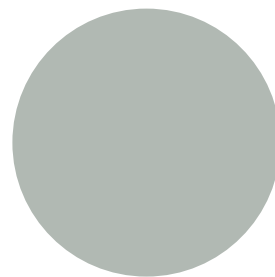
* Shelves not included in pricing, only placed for rendering purposes.

FLOORING



**LIGHT GREY
WOOD**

WALL PAINT



**SILVERMIST
(SW7621)**

COUNTERTOP



**DEKTON
PORTUM**

BACKSPLASH



**HANDMADE
CEMENT TILE**

APPLIANCES



**STAINLESS
STEEL**



Sintra Series
HOME CABINETS



Silverton
Coconut White



Kitchen Front

* Hardware such as drawer and cabinet pulls, countertops, tiles and flooring are placed for rendering purposes and are not included in pricing.

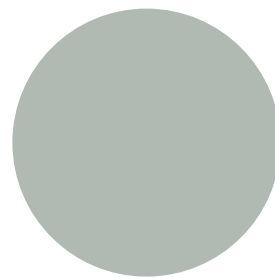
* Shelves not included in pricing, only placed for rendering purposes.

FLOORING



LIGHT GREY WOOD

WALL PAINT



SILVERMIST (SW7621)

COUNTERTOP



DEKTON PORTUM

BACKSPLASH



HANDMADE CEMENT TILE

APPLIANCES



STAINLESS STEEL



Sintra Series
 • HOME CABINETS •



Silverton
 Coconut White



Range & Refrigerator Wall

* Hardware such as drawer and cabinet pulls, countertops, tiles and flooring are placed for rendering purposes and are not included in pricing.

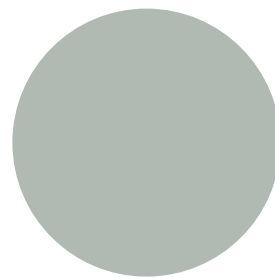
* Shelves not included in pricing, only placed for rendering purposes.

FLOORING



LIGHT GREY WOOD

WALL PAINT



SILVERMIST (SW7621)

COUNTERTOP



DEKTON PORTUM

BACKSPLASH



HANDMADE CEMENT TILE

APPLIANCES



STAINLESS STEEL



Sintra Series
HOME CABINETS



Silverton
Coconut White



Bar Wall

* Hardware such as drawer and cabinet pulls, countertops, tiles and flooring are placed for rendering purposes and are not included in pricing.

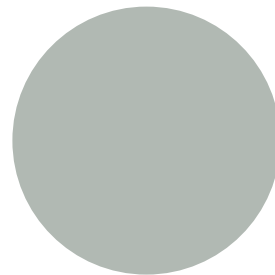
* Shelves not included in pricing, only placed for rendering purposes.

FLOORING



LIGHT GREY WOOD

WALL PAINT



SILVERMIST (SW7621)

COUNTERTOP



DEKTON PORTUM

BACKSPLASH



HANDMADE CEMENT TILE

APPLIANCES



STAINLESS STEEL





Silverton
Coconut White



Island Front

* Hardware such as drawer and cabinet pulls, countertops, tiles and flooring are placed for rendering purposes and are not included in pricing.

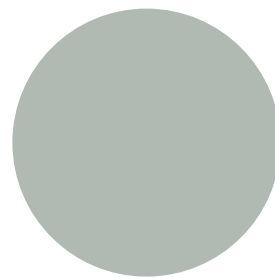
* Shelves not included in pricing, only placed for rendering purposes.

FLOORING



**LIGHT GREY
WOOD**

WALL PAINT



**SILVERMIST
(SW7621)**

COUNTERTOP



**DEKTON
PORTUM**

BACKSPLASH



**HANDMADE
CEMENT TILE**

APPLIANCES



**STAINLESS
STEEL**



Sintra Series
HOME CABINETS



Silverton
Coconut White



Island Back

* Hardware such as drawer and cabinet pulls, countertops, tiles and flooring are placed for rendering purposes and are not included in pricing.

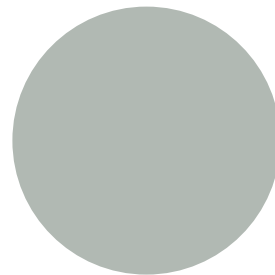
* Shelves not included in pricing, only placed for rendering purposes.

FLOORING



**LIGHT GREY
WOOD**

WALL PAINT



**SILVERMIST
(SW7621)**

COUNTERTOP



**DEKTON
PORTUM**

BACKSPLASH



**HANDMADE
CEMENT TILE**

APPLIANCES



**STAINLESS
STEEL**



Sintra Series
HOME CABINETS



Silverton
Coconut White



Designed by Mad4Cabinetry

Top

* Hardware such as drawer and cabinet pulls, countertops, tiles and flooring are placed for rendering purposes and are not included in pricing.

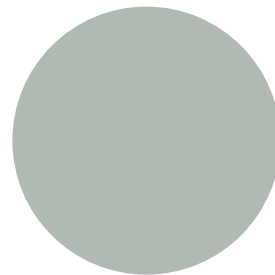
* Shelves not included in pricing, only placed for rendering purposes.

FLOORING



LIGHT GREY
WOOD

WALL PAINT



SILVERMIST
(SW7621)

COUNTERTOP



DEKTON
PORTUM

BACKSPLASH



HANDMADE
CEMENT TILE

APPLIANCES

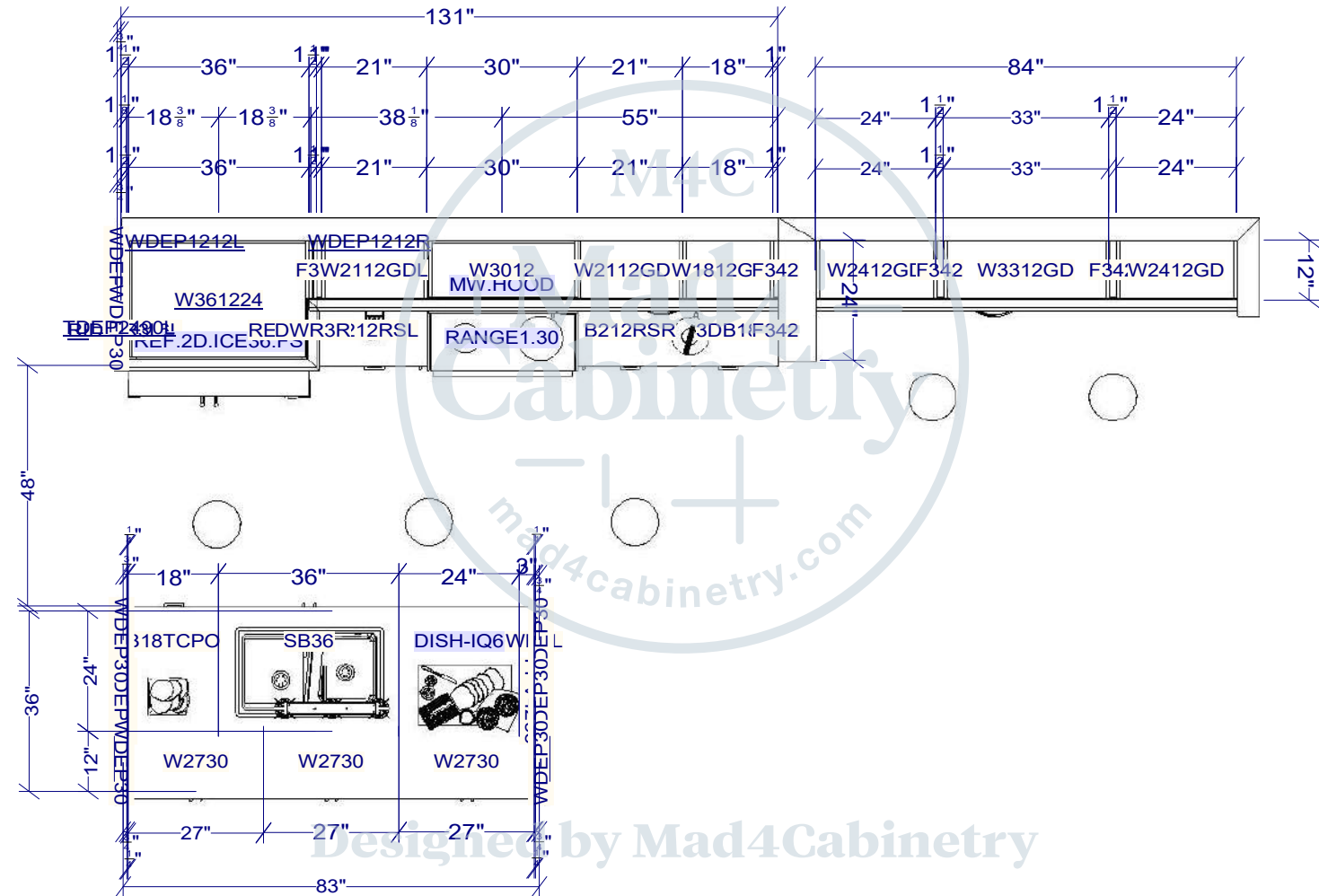


STAINLESS
STEEL



NOTES:

1. Final Cabinetry Design.



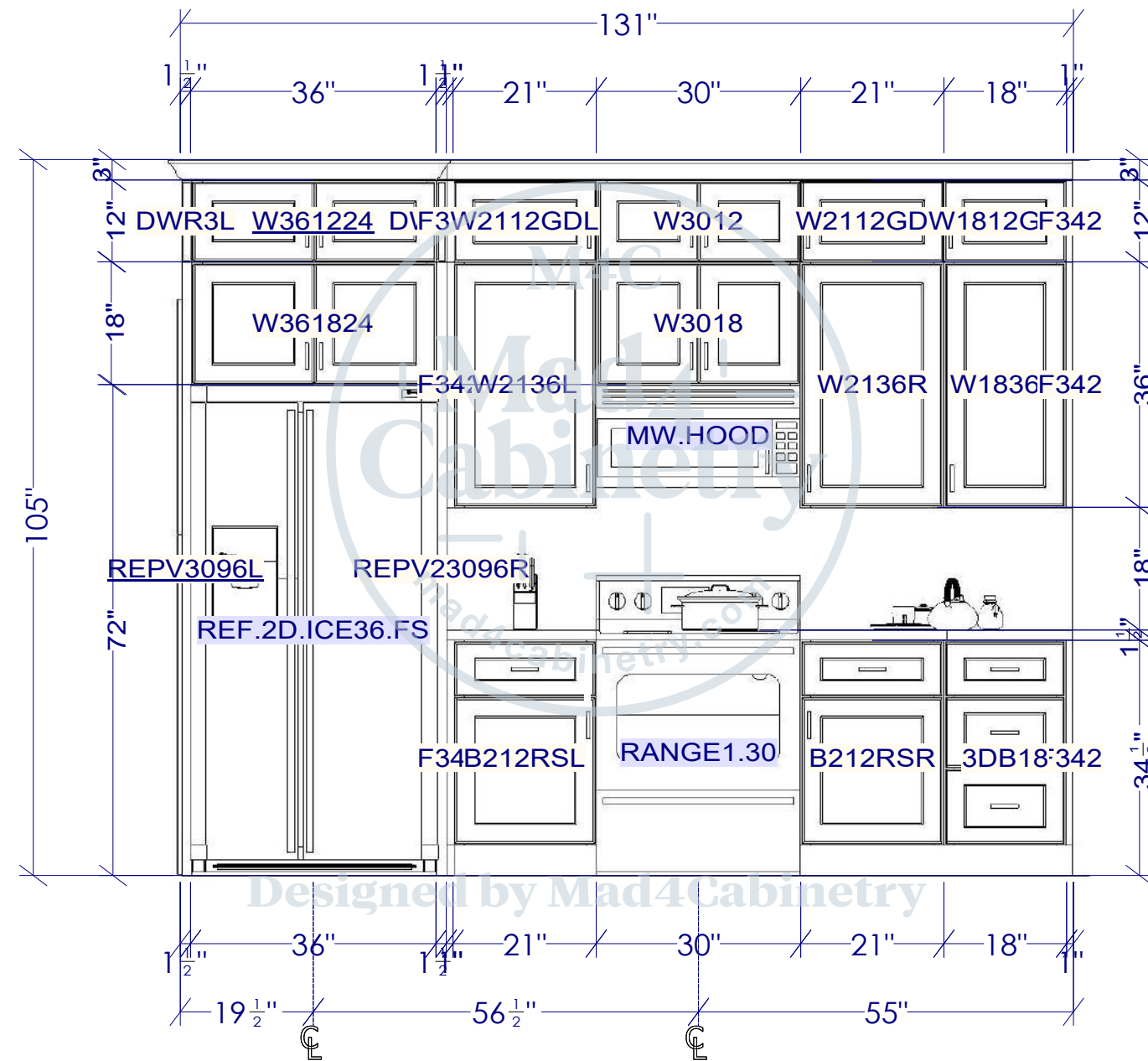
Designed by Mad4Cabinetry



Elevation 1

NOTES:

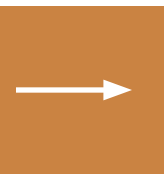
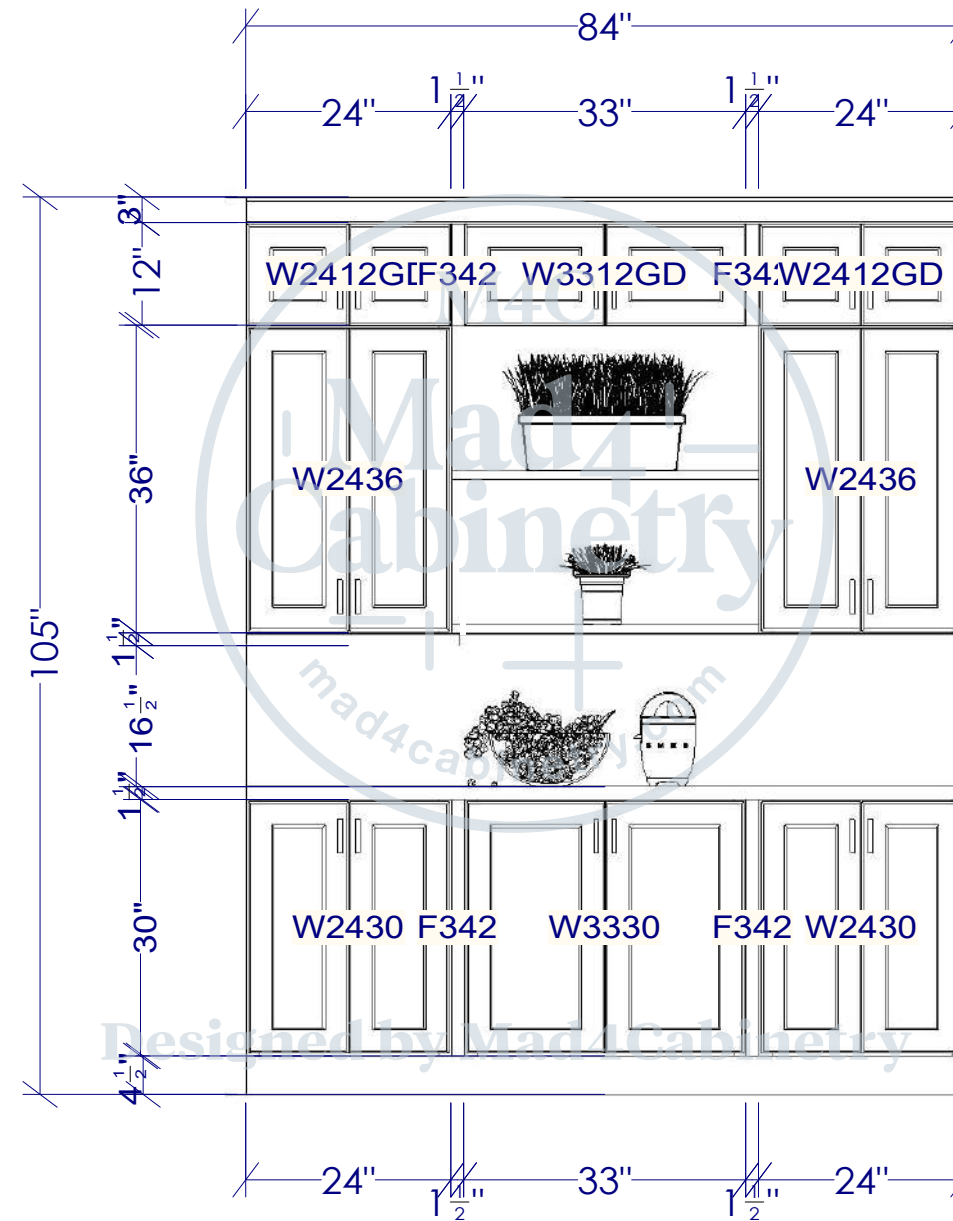
1. Final Cabinetry Design.



Elevation 2

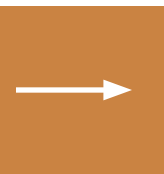
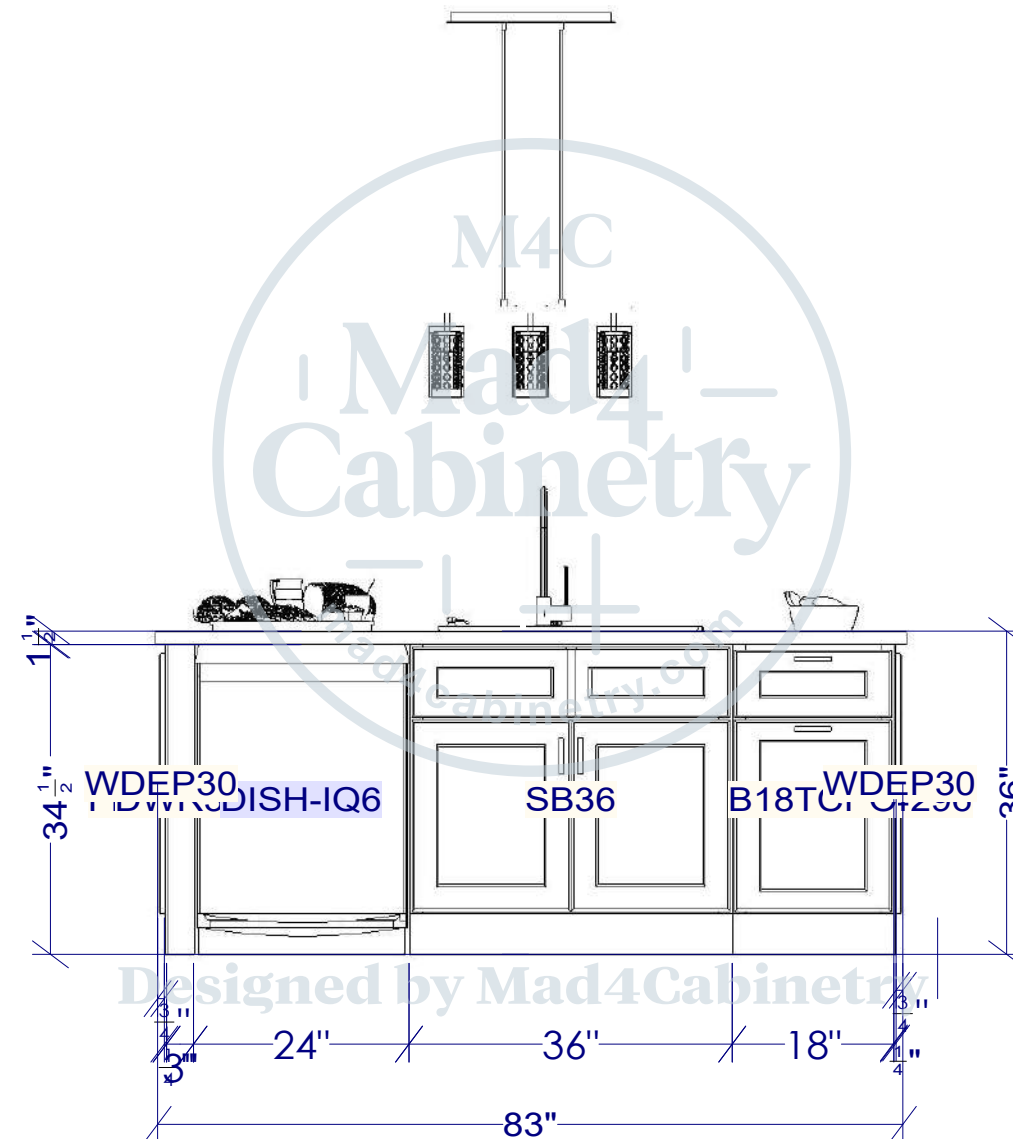
NOTES:

1. Final Cabinetry Design.



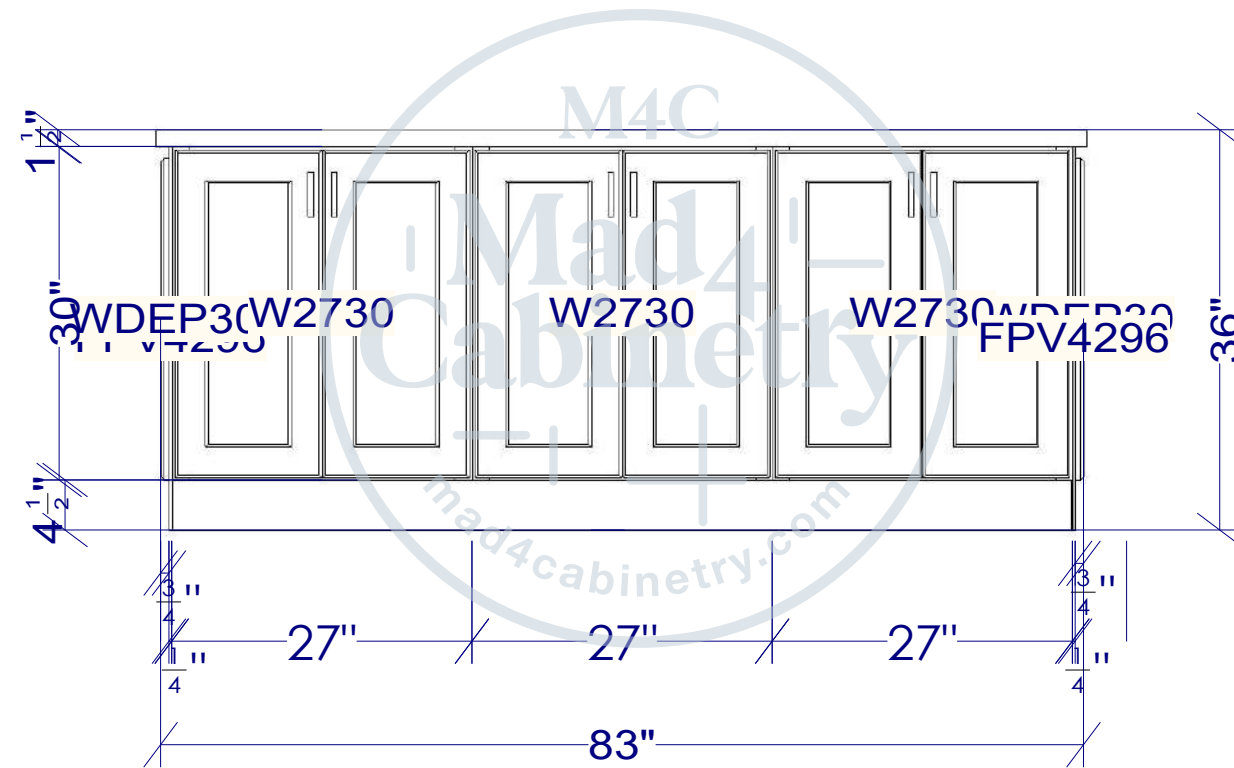
NOTES:

1. Final Cabinetry Design.



NOTES:

- 1. Final Cabinetry Design.

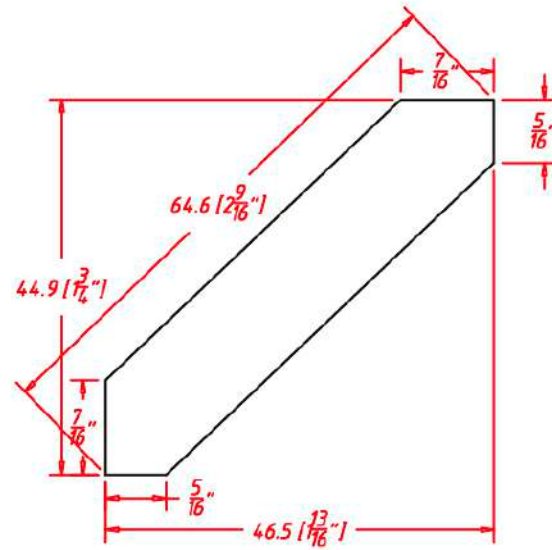


Designed by Mad4Cabinetry

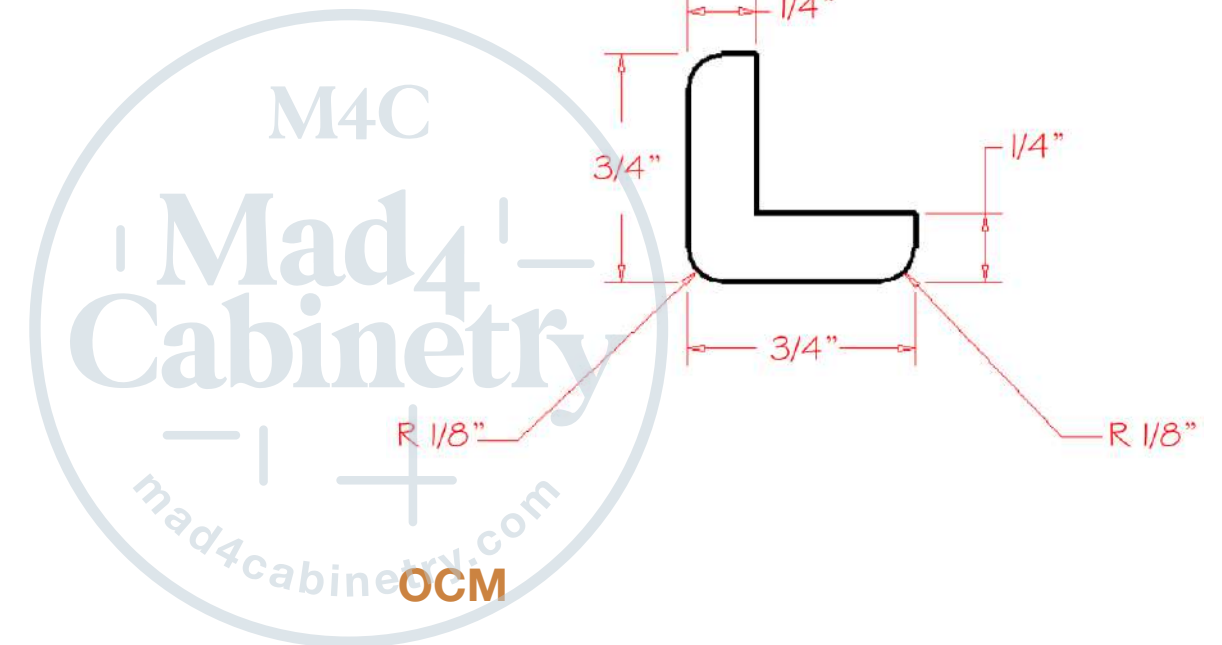


NOTES:

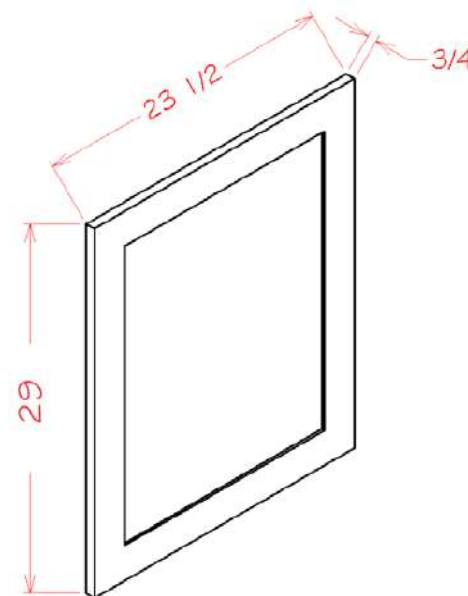
1. Crown Moulding.
2. Outside Corner Moulding.
3. Base Decorative End Panel.
4. Wall Decorative End Panel.



ACM8

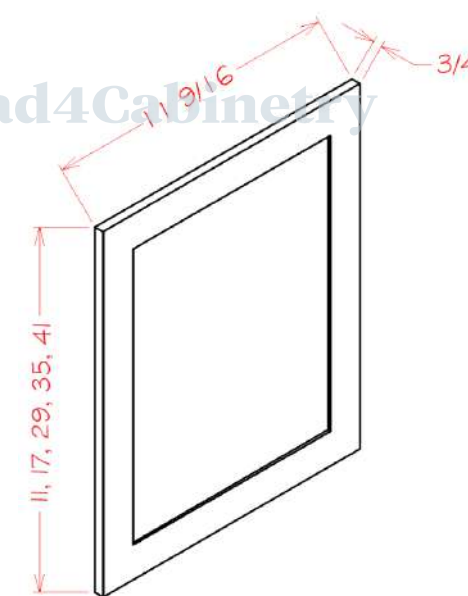


OCM



BDEP

Designed by Mad4Cabinetry

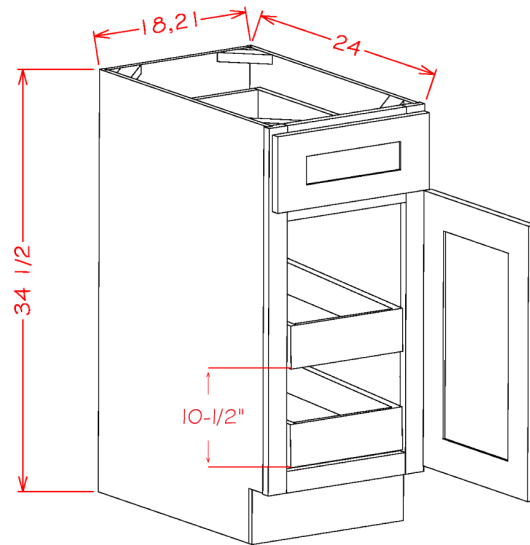


BDEP



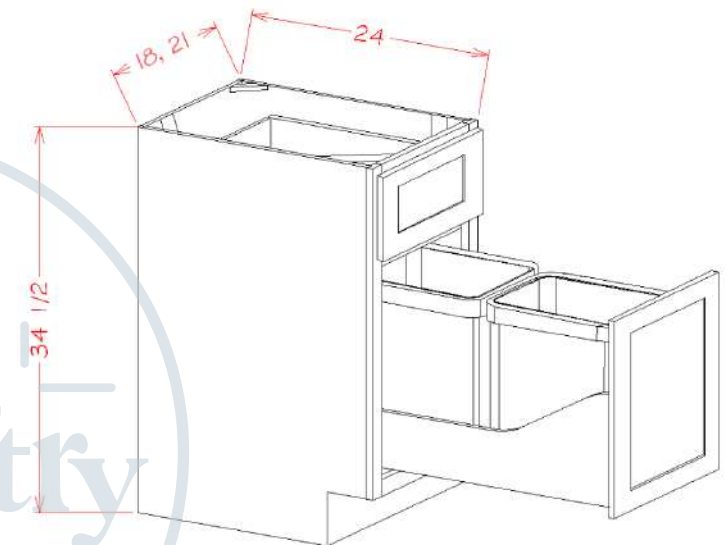
NOTES:

1. Single Door Single Drawer Two Rollout Shelf Base Kit.
2. Single Door Single Drawer Base Kit with Double Trashcan Pullout.
3. Angled Light Rail Moulding.
4. Tall Decorative End Panel.



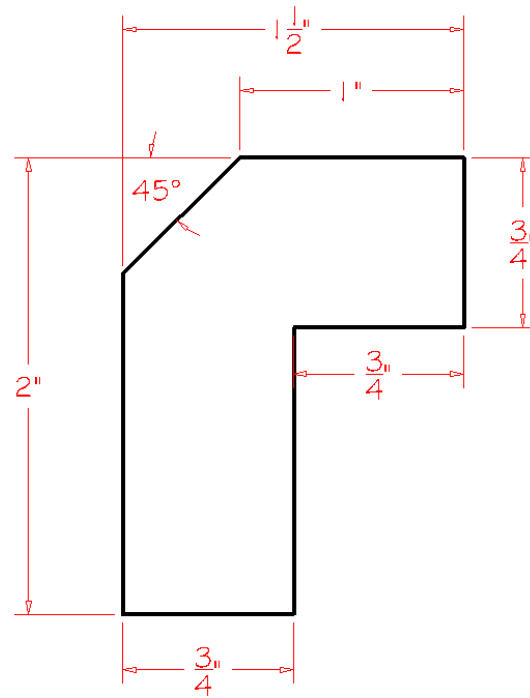
B182RS - B212RS

- Rollout Shelf glides are side mounted ball bearing with no soft close.



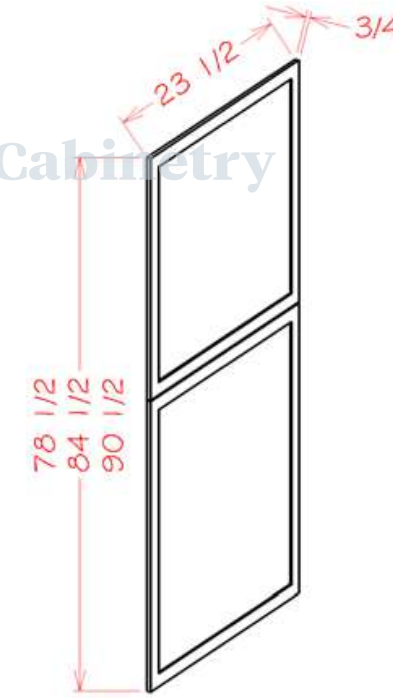
B18TCPO

- Pullout is mounted to the cabinet floor and door.



ALRM

Designed by Mad4Cabinetry



TDEP2490



Transitional Style

ITEMIZED LIST:

CATALOG SINTRA SERIES			
Supplier	SS		
Wall Door		Drawer Front	
Tall Door		Drawer Pull	
Base Door		Door Pull	
Door style	Silverton Coconut White		
#	Qty	User code	Description (SCW)
Cabinets			
1	1	F342	Wall Filler 30"H image
2	1	W3330	30" H Wall Cabinet - Double - Door
3	1	F342	Wall Filler 30"H image
4	1	W2430	30" H Wall Cabinet - Double - Door
5	1	W2730	30" H Wall Cabinet - Double - Door
6	1	W2730	30" H Wall Cabinet - Double - Door
7	1	W2730	30" H Wall Cabinet - Double - Door
8	1	W2430	30" H Wall Cabinet - Double - Door
9	1	W2436	36" H Wall Cabinet - Double - Door
10	1	W2436	36" H Wall Cabinet - Double - Door
11	1	W361824	Refrigerator Wall Cabinet
12	1	F342	Wall Filler 36"H image
13	1	W2136L	36" H Wall Cabinet - Single - Door
14	1	W3018	Wall 30" Bridge
15	1	W2136R	36" H Wall Cabinet - Single - Door
16	1	W1836R	36" H Wall Cabinet - Single - Door
17	1	F342	Wall Filler 36"H image
18	1	W2412GD	Open Frame Wall Cabinets - Double Door
19	1	F342	Wall Filler 12"H image
20	1	W3312GD	Open Frame Wall Cabinets - Double Door
21	1	F342	Wall Filler 12"H image
22	1	W2412GD	Open Frame Wall Cabinets - Double Door
23	1	W361224	Refrigerator Wall Cabinet
23.1	1	WDEP1212R	WDEP1212R Decorative Door R
23.2	1	WDEP1212L	WDEP1212L Decorative Door L



Transitional Style

ITEMIZED LIST:

#	Qty	User code	Description	(SCW)
24	1	F342	Wall Filler 12"H image	
25	1	W2112GDL	Open Frame Wall Cabinets - Single Door	
26	1	W3012	Wall 30" Bridge	
27	1	W2112GDR	Open Frame Wall Cabinets - Single Door	
28	1	W1812GDR	Open Frame Wall Cabinets - Single Door	
29	1	F342	Wall Filler 12"H image	
30	1	DWR3L	Dishwasher Return End Panel	
31	1	SB36	Sink/Range Base	
32	1	B18TCPO	Single Door/Wastebasket - 2 Bins	
33	1	FPV4296	Finished Plywood 34 1/2"H image	
34	1	FPV4296	Finished Plywood 34 1/2"H image	
35	1	F342	Base Filler 30"H image	
36	1	B212RSL	B212RSL - Single Door Single Drawer Two Rollout Shelf Base Kit	
37	1	B212RSR	B212RSR - Single Door Single Drawer Two Rollout Shelf Base Kit	
38	1	3DB18	3-Drawer Base	
39	1	F342	Base Filler 30"H image	
40	1	WDEP30	Wr - Decorative Door (ddr1230)	
41	1	WDEP30	Wr - Decorative Door (ddr1230)	
42	1	WDEP30	Wr - Decorative Door (ddr1230)	
43	1	WDEP30	Wr - Decorative Door (ddr1230)	
44	1	WDEP30	Wr - Decorative Door (ddr1230)	
45	1	WDEP30	Wr - Decorative Door (ddr1230)	
46	1	DWR3L	Dishwasher Return End Panel	
47	1	DWR3R	Dishwasher Return End Panel	
48	1	REPV3096L	Ref End Panel	
48.1	1	TDEP2490L	Tall Decorative Door L	
49	1	REPV3096R	Ref End Panel	
50	1	REPV3096R	Ref End Panel	
51	1	F396	Utility Filler	



Transitional Style

#	Qty	User code	Description	(SCW)
52	1	F396	Utility Filler	
53	4	TKC	TKC Toe Kick Cover	
54	4	LACM8	LACM8 - Large Angle Crown Moulding	
55	2	ALRM	Angle Light Rail Moulding	

Cabinets net total

Accessories

*56	1	OCM	OCM 3/4 Outside Corner Moulding
*57	1	OCM	OCM 3/4 Outside Corner Moulding
*58	7	SCR	SCR 3/4 Scribe Moulding
*59	2	TUK	Touch up Kit

RTA QUOTE SUMMARY

Quote net total:

Volume:

103.00

Weight:

47.00

ITEMIZED LIST:

Designed by Mad4Cabinetry



Mad4 Cabinetry